



## LED FLANKING LAMPS



The images are merely illustrative, some technical features and accessories may be changed without notice.



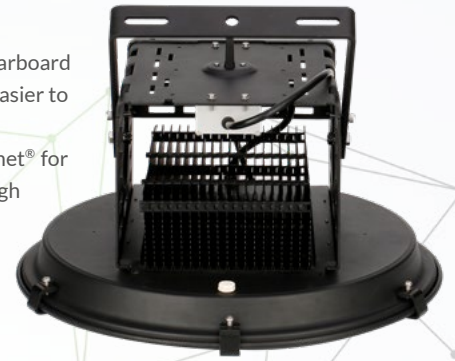
October 2020

## Product Description

Teslights' Flanking Lamp was engineered for the expressed purpose of identifying the river banks off the starboard stern and/or the port stern. The fixtures 5° beam enable the light to project a highly defined beam making it easier to see the banks from an extreme distance.

Teslights' industry leading Flanking Lamps features a heavy gauged metal material that is coated in Dacromet® for corrosion protection making it stronger and more durable than most conventional fixtures. It boasts a high efficiency driver, a modular manufacturing process, a waterproof quick disconnect, and no rewiring of the fixture, minimizing replacement and maintenance costs.

Teslights is proud to have been recognized globally for supreme excellence in design and manufacturing due to our quality, performance, and efficiency.



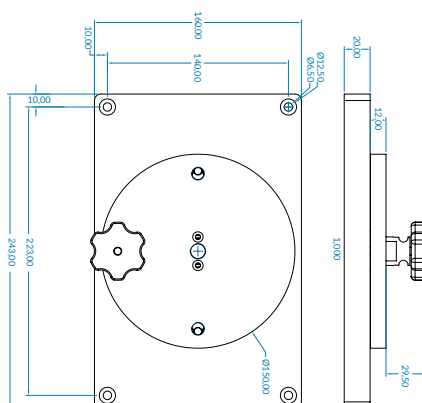
## Key Features

- Modular manufacturing process
- Highly efficient driver
- 5 year factory warranty
- No rewiring of fixture, minimizing replacement and maintenance costs
- Heavy gauged metal material, stronger than most LED lights

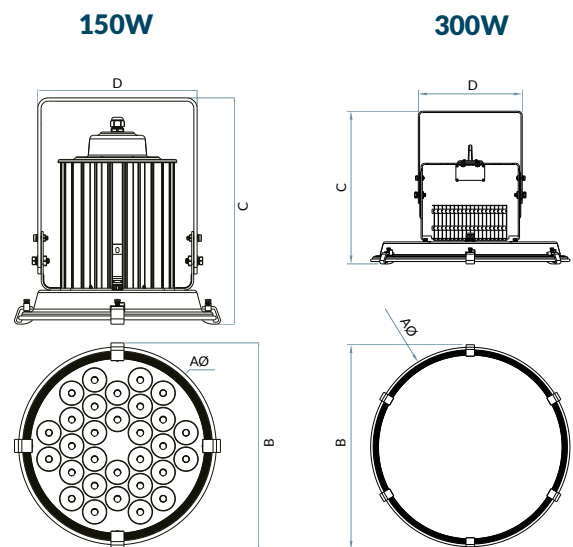
## Product Specifications

<b>LED package:</b>	SMD 5050
<b>Power consumption:</b>	150 - 300W ±5%
<b>Input voltage:</b>	100~277V AC 50/60Hz
<b>Efficacy:</b>	Up to 100 lm/W
<b>THD:</b>	<18%
<b>P.F.:</b>	>0.95
<b>CRI:</b>	>70
<b>Dimming:</b>	0-10V
<b>Material:</b>	6030 aluminum alloy glass cover and Dacromet® coating.
<b>Beam angle:</b>	5°, 10°, 20°, 30°, 60°
<b>IP rating:</b>	IP65
<b>Fire rating:</b>	UL94V0
<b>Operating temperature:</b>	-25°C ~ + 50°C

## Optional Bracket



## Product Measurement



Model	Measures (AxBxCxD)
150	Ø303 x 316 x 347x245 mm
300	Ø471.7 x 483.8 x 361.1x246 mm



## Ordering Guide

Example: TSP150M100C50-5-Q

Type	Dim or non-dim	Watts	Driver/Voltage	Efficiency	Cover	CCT	Beam Angle	Quick Disconnect								
<b>TS</b>	<b>P</b>	<b>150</b>	<b>M</b>	<b>100</b>	<b>C</b>	<b>50</b>	<b>-5</b>	<b>-Q</b>								
<b>TS</b>	<b>S</b> <b>P</b>	Non-dimmable Dimmable	<b>150</b> <b>300</b>	150 W 300 W	<b>M</b>	Internal 100-277V 50/60 Hz	<b>100</b>	100 lm/W	<b>C</b>	Clear	<b>30</b> <b>40</b> <b>50</b> <b>60</b>	3000 K 4000 K 5000 K 6000 K	<b>-5</b> <b>-10</b> <b>-20</b> <b>-30</b> <b>-60</b>	5° 10° 20° 30° 60°	<b>-Q</b>	Quick Disconnect / 6-foot length cable

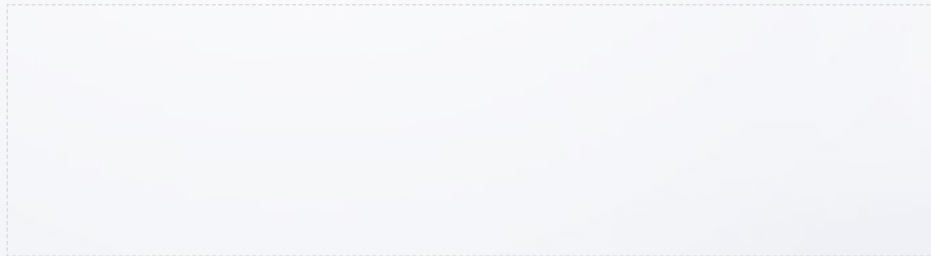


## Equivalent Watts and Amps at 120V

Model	Amps
150W Flanking Lamps	1.25A



**Teslights**   
*Marine Lighting*



**World Headquarters**

4000 Montgomery Dr.

Suite L3,

Santa Rosa, CA 95403, USA

Tel.: +1 707 536 5467

[www.teslights.com](http://www.teslights.com) - [info@teslights.com](mailto:info@teslights.com)